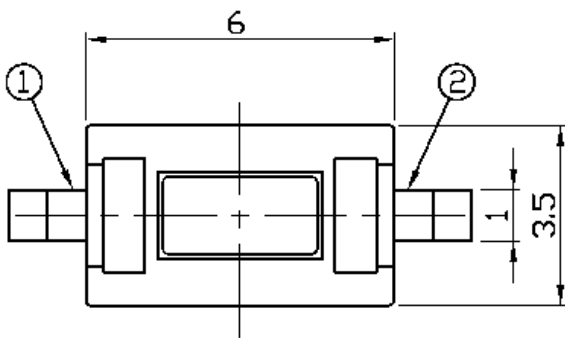
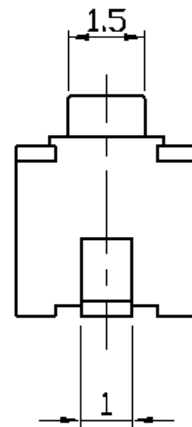
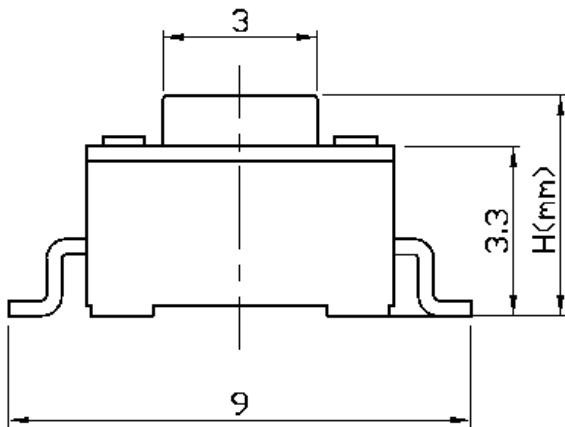
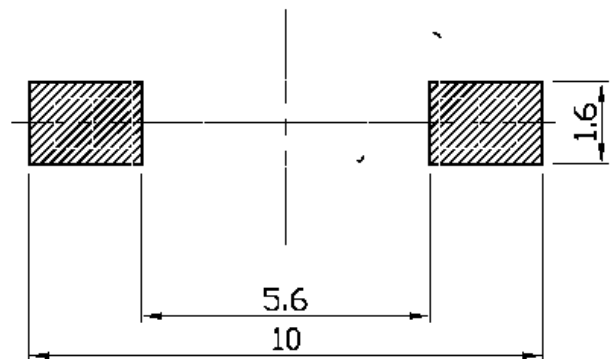


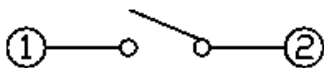
DIMENSIONS



P.C.B MOUNTING PATTERN DIMENSION



CIRCUIT DIAGRAM



1. OPERATING FORCE : $160 \pm 30\text{gf}$ —(N)
 $250 \pm 50\text{gf}$ —(R)
2. TRAVEL : 0.25 ± 0.1 mm
3. CONTACT RESISTANCE : $100\text{m}\Omega$ MAX
4. RATING : DC 12V 50mA MAX
5. OPERATING LIFE : 50,000 Cycles Min for 160gf
30,000 Cycles Min for 250gf

	5	Terminal	Brass	1	C2680R-EH t0.3
	4	Case	PolyAmide	1	C230K G30
	3	Contact	Stainless	1	SUS304-EH t0.1
B	5.0	2	Stem	1	C230K G30
A	4.3	1	Cover	1	C2680R-EH t0.3
H	mm	NO	Part Name	Material	QT,Y Remark

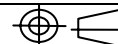


銓基電子股份有限公司
ROKI ELECTRONICS CO., LTD.

PART NAME : TACT SWITCH

PART NO : TS05M-□□-S-PF

TOLERANCE : ± 0.3 mm



SCALE :

UNIT : mm

VER : R01